

Distributed by:

**cntech**  
Analysis & Testing Instruments



# GBG-L2 Pendulum Impact Tester



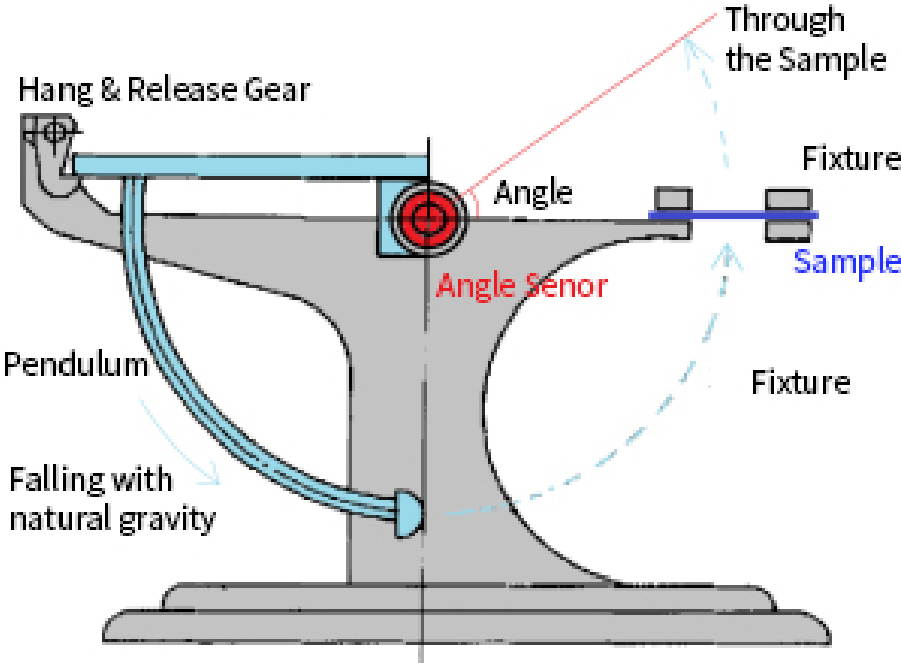
# Introduction

Designed and manufactured according to standards like GB/T 8809、ASTM D3420, GBG-L2 Pendulum Impact Tester is suitable for determining pendulum impact resistance of the film materials, composite film, metallic foil and so on. The machine can be used in scientific research, teaching, industrial and mining enterprises, laboratory, research institute and quality supervision department.

## Testing Principle

Through the impact head of semi globe shape, the instrument impacts and breaks through the sample with certain ram speed so as to measure the consumptive energy of the impact head, and use the energy to estimate the energy value of pendulum impact resistance of the film sample.

Standards: GB/T 8809、ASTM D3420、GB/T 21189



Working Principle



## Specification

Item	Technical Parameters
Maximum impact energy	5 J (8J optional)
Test precision	0.001 J
Pendulum angle	90°
Pendulum swing radius	285 mm
Size of impact head	Φ19 mm, Φ25.4 mm
Size of clips	Φ60 mm, Φ89 mm
Size of test sample	100 mm×100 mm
Instrument size	773 mm×378 mm×606 mm
Power	75 W
Power supply	AC 220 V, 50 Hz

### Features:

- ◆ Electronic measurement, test accuracy up to 0.001 J, strictly ensure the accuracy of experimental results.
- ◆ The host machine is equipped with color touch screen, which is convenient for users to conduct test operation and view data ;
- ◆ The sample is pneumatically clamped, the pendulum is pneumatically released, and equipped with a horizontal adjustment auxiliary system to effectively avoid human error ;
- ◆ The range is adjustable, and electronic measurement enables easy and accurate testing under various test conditions ;
- ◆ The system automatically statistics the test data and presents the test results to the user visually ;
- ◆ Automatic operation, one key test, simple and convenient operation ;
- ◆ With report editing function, according to the actual situation to edit the content of the experimental report.

## Application

	<p>Film</p>	<p>It is suitable for testing the resistance of plastic film, thin film and composite film to pendulum impact. Such as food and drug packaging bags with PE/PP composite film, aluminum plating film, aluminum plastic composite film, nylon film, etc</p>
	<p>Paper, sheet testing</p>	<p>It is suitable for testing the impact resistance of paper and paperboard, such as aluminized paper for cigarette packaging and aluminum-plastic paper composite material for Tetra Pak packaging.</p>

## Configuration

<p>Standard configuration</p>	<p>Main machine, air pipe, reducer through joint gray, sample holder, impact head, screw knife, hex socket wrench</p>
<p>Remarks</p>	<p>Air source supplied by user</p>

Note: GBPI is always committed to product innovation and improved performance, so accordingly product technical specifications are subject to change without notice. GBPI reserves the right to amend and the final power of interpretation.



**Distributed by:**  
 CN Technical Services Limited  
 Call +44 (0)1354 699899  
[www.cnitech.co.uk](http://www.cnitech.co.uk)